



# 深圳市国冶星光电子有限公司

SHENZHEN GUOYEXING OPTOELECTRONICS CO.,LTD.

## 承认书

SPECIFICATION FOR APPROVAL

客户名称Customer: \_\_\_\_\_

产品型号Model: GYXS-4422AB

企业号No.: GYX-G-003

客户号Customer No: DDCG0340

日期Date: 2008-07-30

附产品规格书Enclosure is the specification

### 深圳市国冶星光电子有限公司

SHENZHEN GUOYEXING OPTOELECTRONICS CO.,LTD.

生产部 Production Dept.	质量部 Quality Dept.	工程部 Engineering Dept.	市场部 Marketing Dept.
张述花 zhangshuhua	程斯容 chengsirong	廖晶晶 liaojingjing	韩丽娟 hailijuan

### 客户确认签名

APPROVED SIGNATURES

--	--	--	--

地址: 深圳市蛇口后海大道东角头工业区C座4楼 518067

Add: 4/F, Block C, Dongjiaotou Industrial Zone, Houhai Avenue, Shekou, Shenzhen.

电话Tel: 0086-755-26816353, 26816352

传真Fax: 0086-755-26686042

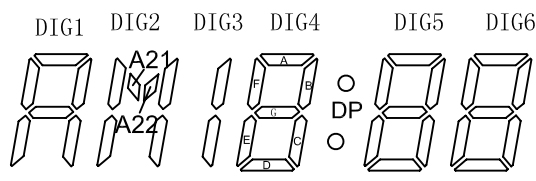
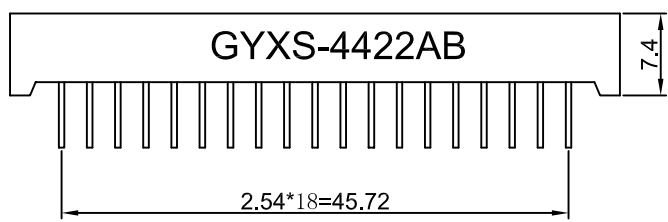
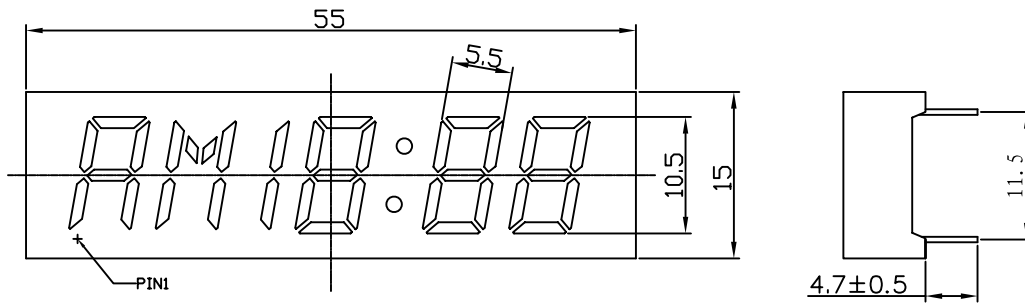
Email: gyx@gyx-led.com

Website: www.Gyx-led.com

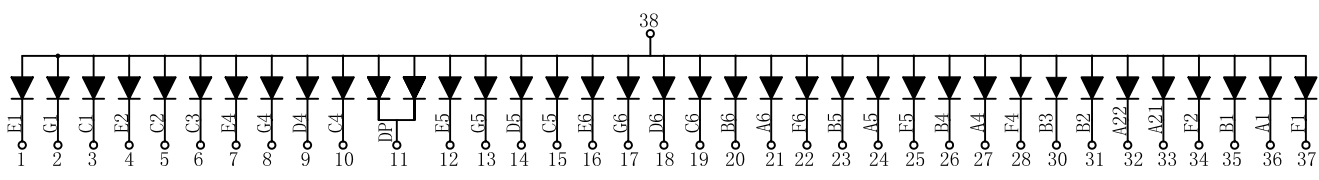


# GYXS-4422AB

## PACKAGE DIMENSIONS



## INTERNAL CIRCUIT DIAGRAM



PIN29 IS NO CONNECT

### Notes:

- 1. All dimensions are in millimeters (inch), Tolerance is  $\pm 0.25\text{mm}$  [ $0.01''$ ] unless otherwise noted.
- 2. The specification may be changed without notice.



## General Information

Part NO.	Chip Material	Emitting Color	Lens Type	Description
GYXS-4422AB	GaN/GaN	BLUE	Diffused	Common Anode

## Electrical/Optical Characteristics at Ta=25°C

Parameter	Symbol	Typ.	Max.	Unit	Conditions
Luminous Intensity	I <sub>v</sub>	70	80	mcd	I <sub>F</sub> =20mA
Peak Wavelength	λ <sub>P</sub>	-	-	nm	I <sub>F</sub> =20mA
Dominant Wavelength	λ <sub>D</sub>	465	467.5	nm	I <sub>F</sub> =20mA
Spectral Line Half-Width	Δλ	-	45	nm	I <sub>F</sub> =20mA
Forward Voltage	V <sub>F</sub>	3.0	3.3	V	I <sub>F</sub> =20mA
Reverse Current	I <sub>R</sub>	-	50	uA	V <sub>R</sub> =5V

## Absolute Maximum Ratings at Ta=25°C

Parameter	Symbol	Maximum Rating	Unit
Power Dissipation	P <sub>d</sub>	100	mW
Forward Current	I <sub>F</sub>	20	mA
Peak Forward Current(1)	I <sub>F</sub> (Peak)	120	mA
Reverse Voltage	V <sub>R</sub>	5	V
Operating Temperature	T <sub>opr</sub>	-30° c+70° c	
Storage Temperature	T <sub>stg</sub>	-30° c+80° c	
Lead Solder Temperature(2)	T <sub>sol</sub>	260° c for 5 seconds	

## Notes:

- 1/10 duty cycle, 0.1ms pulse width.
- 2mm below package base.