



深圳市国冶星光电子有限公司  
SHENZHEN GUOYEXING OPTOELECTRONICS CO.,LTD.

# 承认书

SPECIFICATION FOR APPROVAL

客户名称Customer: \_\_\_\_\_

产品型号Model: \_\_\_\_\_ GYXS-50101ASRIII20/3

企业号No.: \_\_\_\_\_ GYX-G-003

客户号Customer No: \_\_\_\_\_ DDCG0009

日期Date: \_\_\_\_\_ 2008.03.14

附产品规格书Enclosure is the specification

深圳市国冶星光电子有限公司  
SHENZHEN GUOYEXING OPTOELECTRONICS CO.,LTD.

生产部 Production Dept.	质量部 Quality Dept.	工程部 Engineering Dept.	市场部 Marketing Dept.
张述花 zhangshuhua	程斯容 chengsirong	廖晶晶 liaojingjing	韩丽娟 hanlijuan

## 客户确认签名

APPROVED SIGNATURES

--	--	--	--

地址: 深圳市蛇口后海大道东角头工业区C座4楼 518067

Add: 4/F, Block C, Dongjiaotou Industrial Zone, Houhai Avenue, Shekou, Shenzhen.

电话Tel: 0086-755-26816353, 26816352

传真Fax: 0086-755-26686042

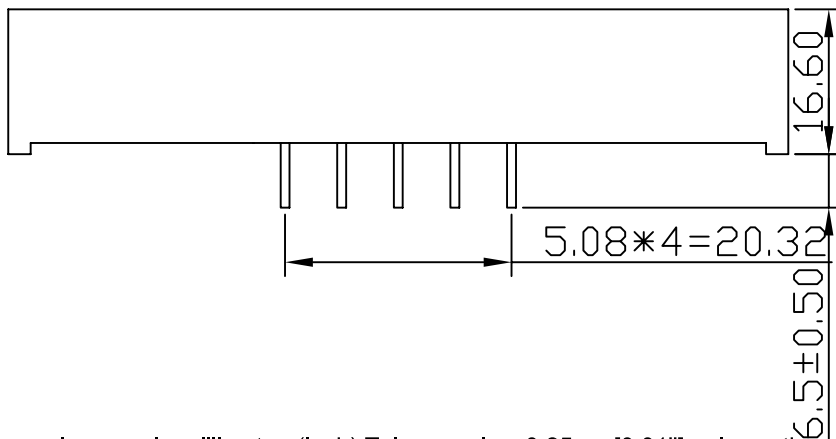
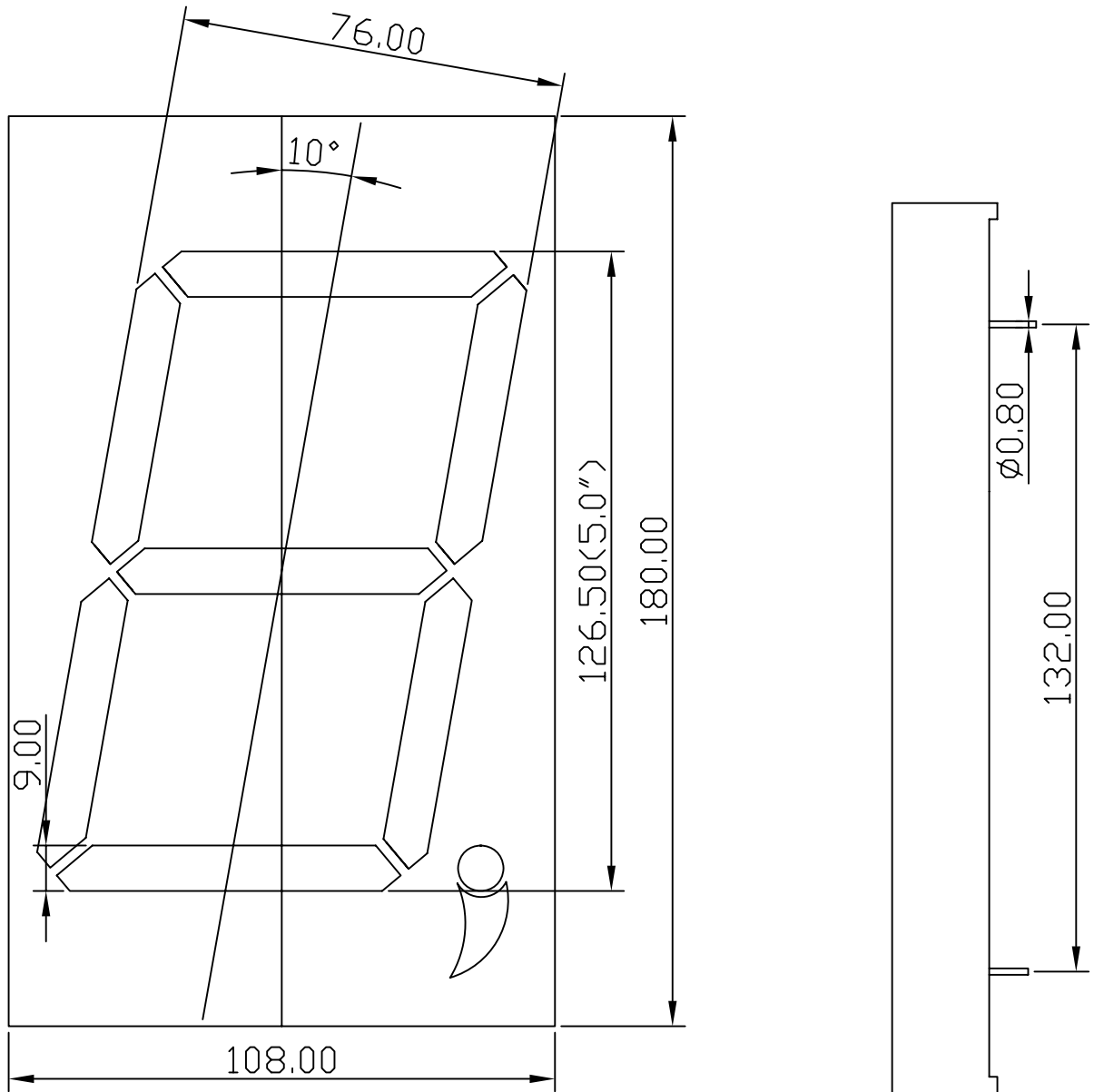
Email: gyx@gyx-led.com

Website: www.Gyx-led.com



# GYXS-50101ASRIII20/3

## PACKAGE DIMENSIONS

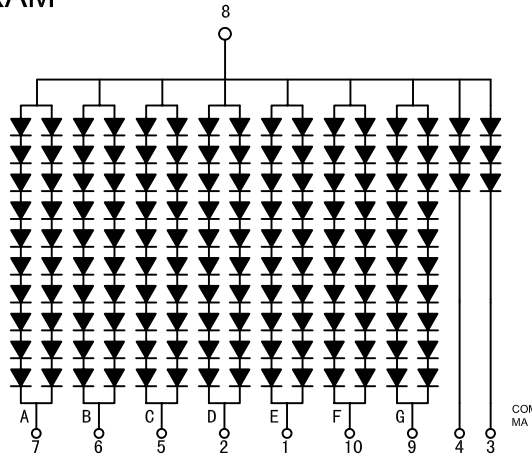


Notes:

- 1. All dimensions are in millimeters (inch), Tolerance is ± 0.25mm [0.01"] unless otherwise noted.
- 2. The specification may be changed without notice.



INTERNAL CIRCUIT DIAGRAM



General Information

Part NO.	Chip Material	Emitting Color	Lens Type	Description
GYXS-50101ASRIII10/3	GaAlAs/CaAs	RED	Diffused	Common Anode

Electrical/Optical Characteristics at Ta=25 °C

Parameter	Symbol	Typ.	Max.	Unit	Conditions
Luminous Intensity	$I_v$	12	12.5	mcd	$I_F=20mA$
Peak Wavelength	$\lambda_P$	640	645	nm	$I_F=20mA$
Spectral Line Half-Width	$\Delta\lambda$	-	20	nm	$I_F=20mA$
Forward Voltage	$V_F$	1.8	1.85	V	$I_F=20mA$
Reverse Current	$I_R$	-	50	$\mu A$	$V_R=5V$

Absolute Maximum Ratings at Ta=25 °C

Parameter	Symbol	Maximum Rating	Unit
Power Dissipation	$P_d$	50	mW
Forward Current	$I_F$	20	mA
Peak Forward Current(1)	$I_F(\text{Peak})$	120	mA
Reverse Voltage	$V_R$	5	V
Operating Temperature	$T_{opr}$	-40° c+80° c	
Storage Temperature	$T_{stg}$	-40° c+80° c	
Lead Solder Temperature(2)	$T_{sol}$	260° c for 5 seconds	

Notes:

- 1/10 duty cycle, 0.1ms pulse width.
- 2mm below package base.