



深圳市国冶星光电子有限公司
SHENZHEN GUOYEXING OPTOELECTRONICS CO.,LTD.

承 认 书

SPECIFICATION FOR APPROVAL

客户名称Customer: _____

产品型号Model: GYXS-8103CUR(米)

企业号No.: GYX-G-003

客户号Customer No: DDCG0298

日期Date: 2008-04-02

附产品规格书Enclosure is the specification

深圳市国冶星光电子有限公司 SHENZHEN GUOYEXING OPTOELECTRONICS CO.,LTD.			
生产部 Production Dept.	质量部 Quality Dept.	工程部 Engineering Dept.	市场部 Marketing Dept.
张述花 zhangshuhua	程斯容 chengsirong	廖晶晶 liaojingjing	韩丽娟 hanlijuan

客户确认签名 APPROVED SIGNATURES			

地址:深圳市蛇口前海大道东角头工业区C座4楼 518067

Add:4/F,BlockC,Dongjiaotou Industrial Zone,Houhai Avenue,Shekou,Shenzhen.

电话Tel:0086-755-26816353,26816352

传真Fax:0086-755-26686042

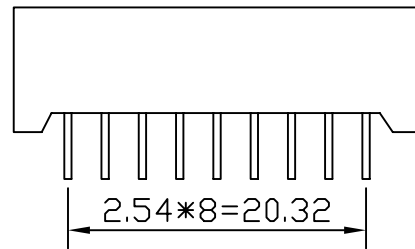
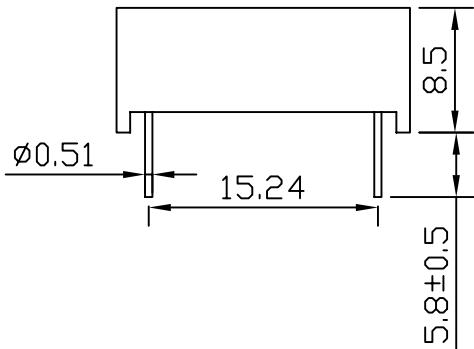
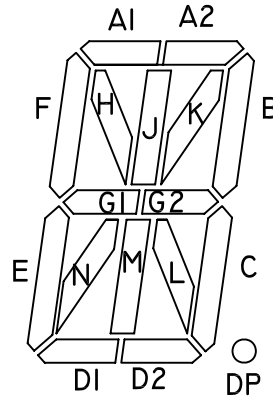
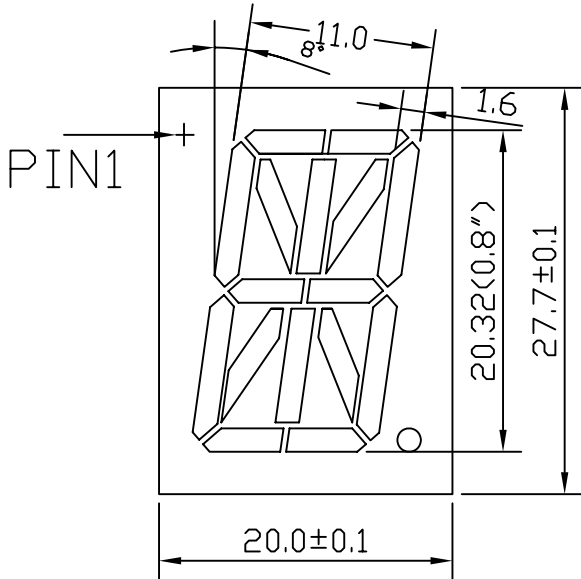
Email:gyx@gyx-led.com

Website:www.Gyx-led.com

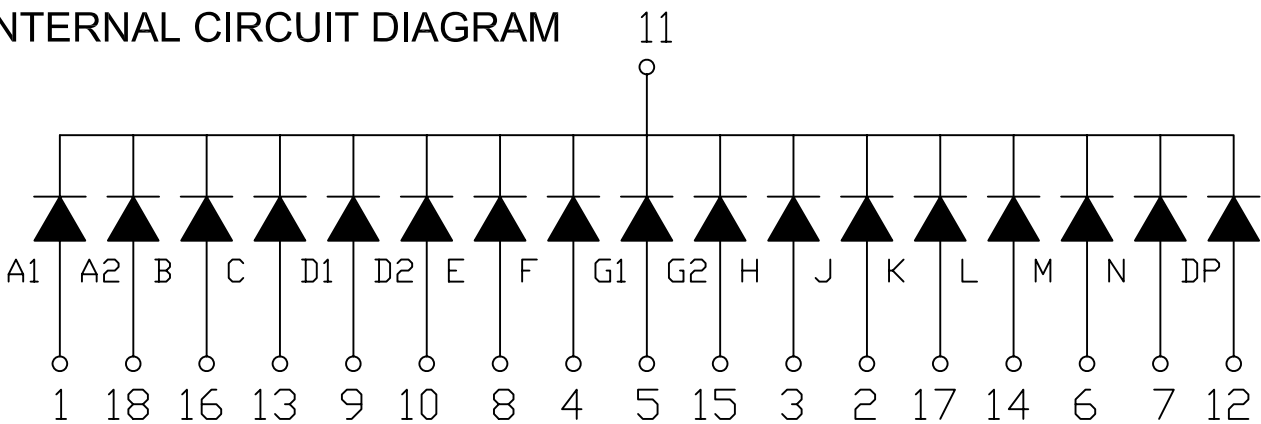


GYXS-8103CUR(米)

PACKAGE DIMENSIONS



INTERNAL CIRCUIT DIAGRAM



NOTES:

1. All Dimensions are in millimeters.
2. Tolerance is $\pm 0.25\text{mm}$ unless otherwise noted



GENERAL INFORMATION

Part NO.	Chip Material	Emitting Color	Lens Type	Description
GYXS-8103CUR(米)	AlGaInP	RED	Diffused	Common Cathode

Electrical/Optical Characteristics at Ta=25°C

Parameter	Symbol	Typ.	Max.	Unit	Conditions
Luminous Intensity	Iv	20	30	mcd	IF=20mA
Peak Wavelength	λ_P	—	—	nm	IF=20mA
Dominant Wavelength	λ_D	635	640	nm	IF=20mA
Spectral Line Half-Width	$\Delta\lambda$	—	45	nm	IF=20mA
Forward Voltage	VF	1.7	2.4	V	IF=20mA
Reverse Current	IR		50	uA	VR=5V

Absolute Maximum Ratings at Ta=25°C

Parameter	Symbol	Maximum Rating	Unit
Power Dissipation	Pd	65	mW
Forward Current	IF	20	mA
Peak Forward Current(1)	IF(Peak)	120	mA
Reverse Voltage	VR	5	V
Operating Temperature	Topr	-40° c+80° c	
Storage Temperature	Tstg	-40° c+80° c	
Lead Solder Temperature(2)	Tsol	260° c for 5 seconds	

Notes:

- 1/10 duty cycle, 0.1ms pulse width.
2. 2mm below package base.