



GUOYEXING OPTOELECTRONICS CO.LTD

SPECIFICATION

FOR APPROVAL

ISSUED DATE :

CUSTOMER :

DESCRIPTION :

MODEL NO.: GYX-2388ASRG-MZ

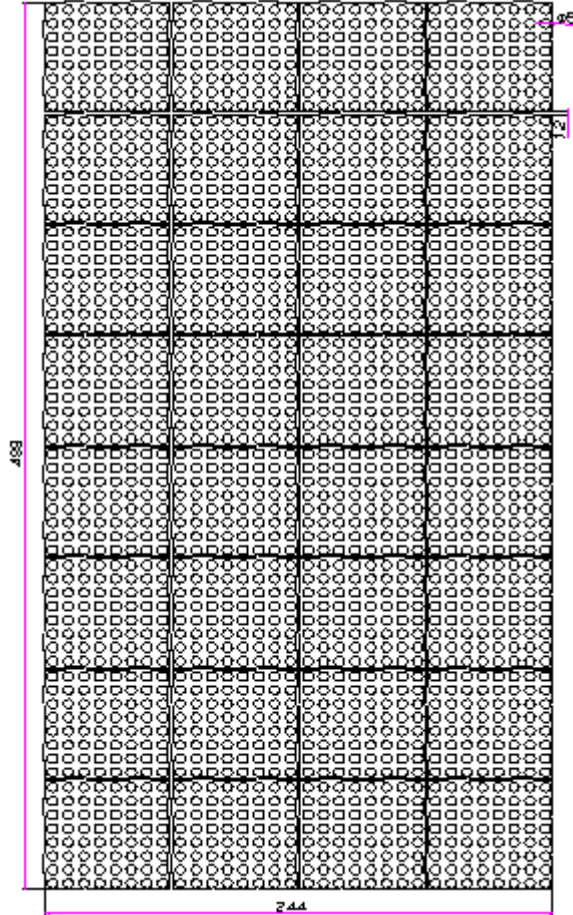
DOCUMENTNO. :

[GUOYEXING TECH.]

ISSUE	REVIEW	APPRL

[CUSTOMER APPROVAL]

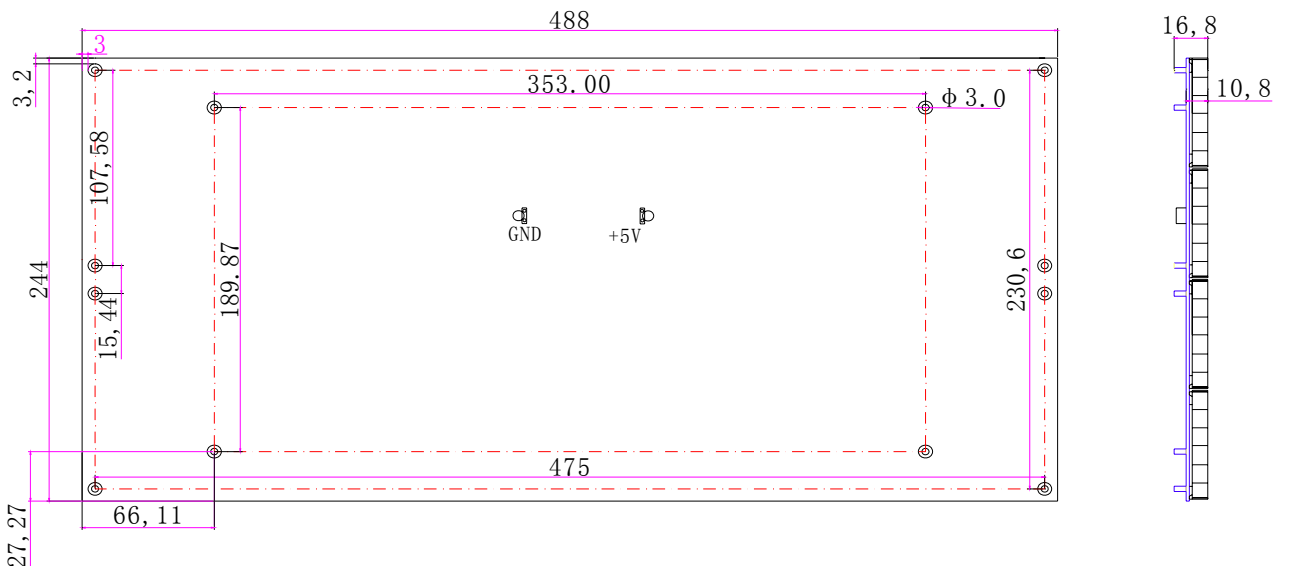
***DATE—CONNECTOR (JIN1, JOUT1)**



PIN NO	SIGNAL	PIN NO	SIGNAL
1	GND	2	LA
3	GND	4	LB
5	GND	6	LC
7	EN	8	LD
9	R1	10	G1
11	R2	12	G2
13	GND	14	LT
15	GND	16	SK

***POWER CONNECTOR (J POWER1)**

NO	SIGNAL	LEVEL
1	VCC	5 (V)
2	GND	0 (V)

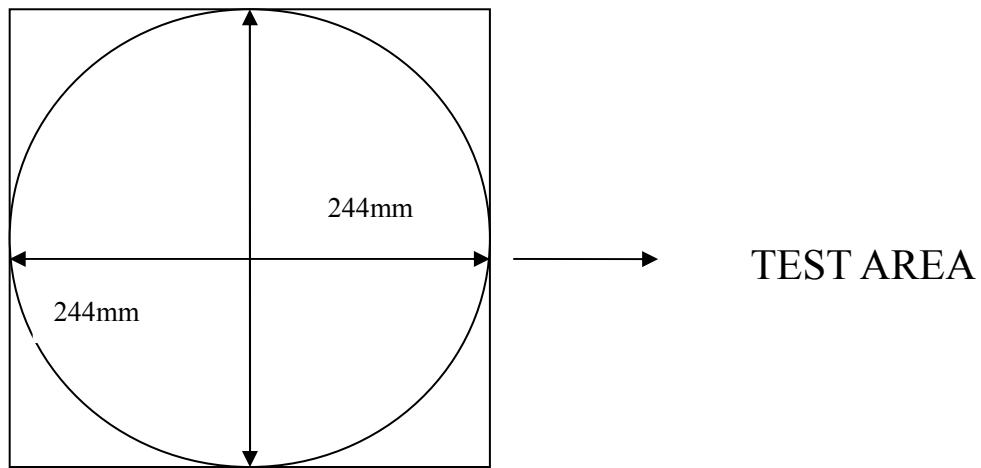


5、 OPTICAL CHARACTERISTICS

Ta=25°C

ITEM		SYMBOL	COND	MIN.	TYP	MAX	UNIT
Brightness	RED	IVr	Vcc=5V	50	70	90	Cd/m ²
	Y-GREEN	IVg					

(*1)

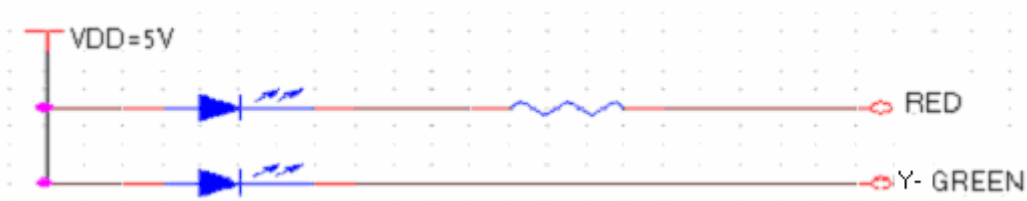


6、 ELECTRICAL CHARACTERISTICS

6-1. Voltage-Current Characteristics

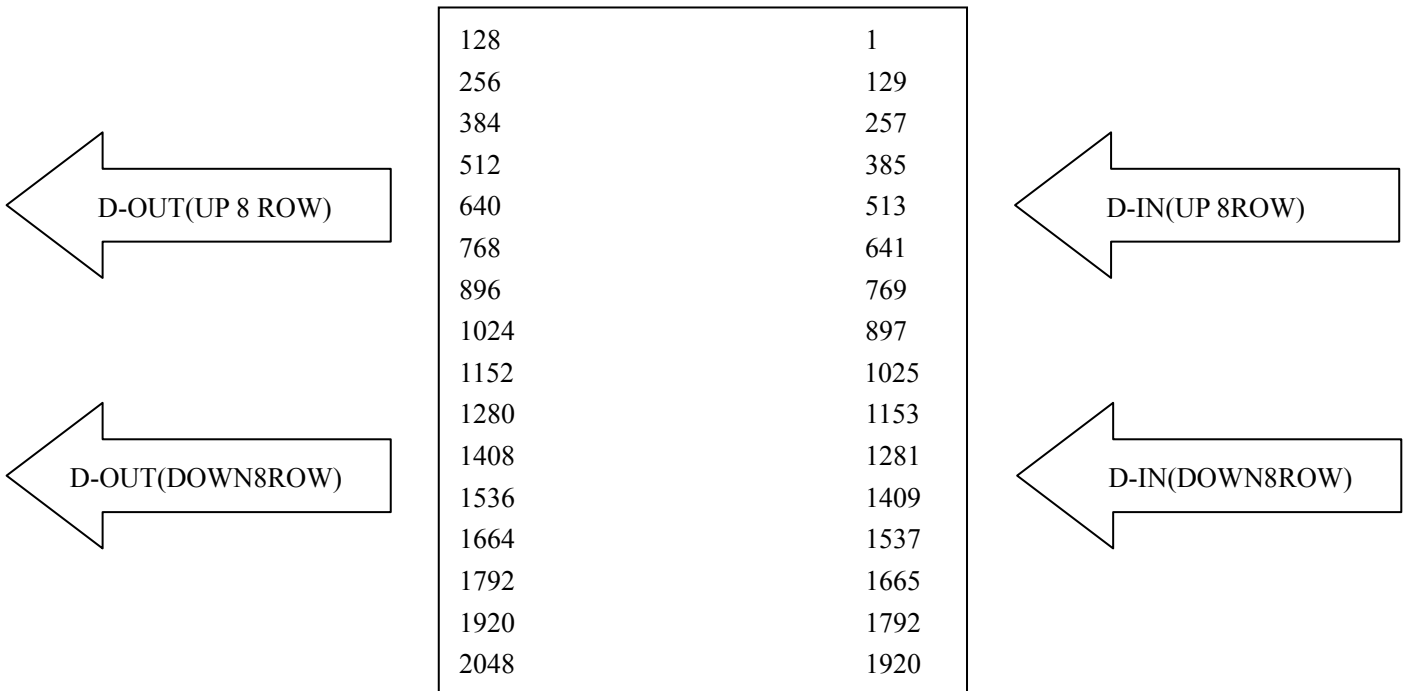
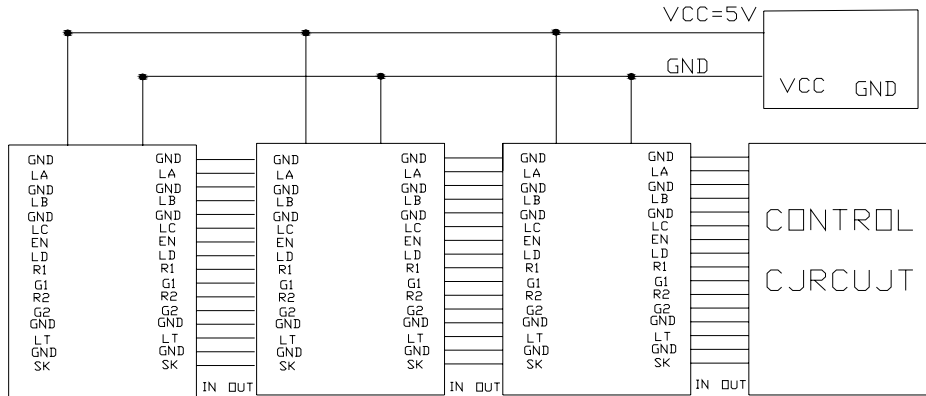
Ta=25°C

ITEM	SYMBOL	COND	MIN	TYP.	MAX	UNIT
Supply voltage(LOGIC)	Vcc	—		5		V
Supply current(LOGIC)	Icc	Vcc=5V	—	200		mA
Supply current(LED)	Iled		—	7		A



7. OTHER ITEM

7—1. Connection example between products



8. INTERFACE

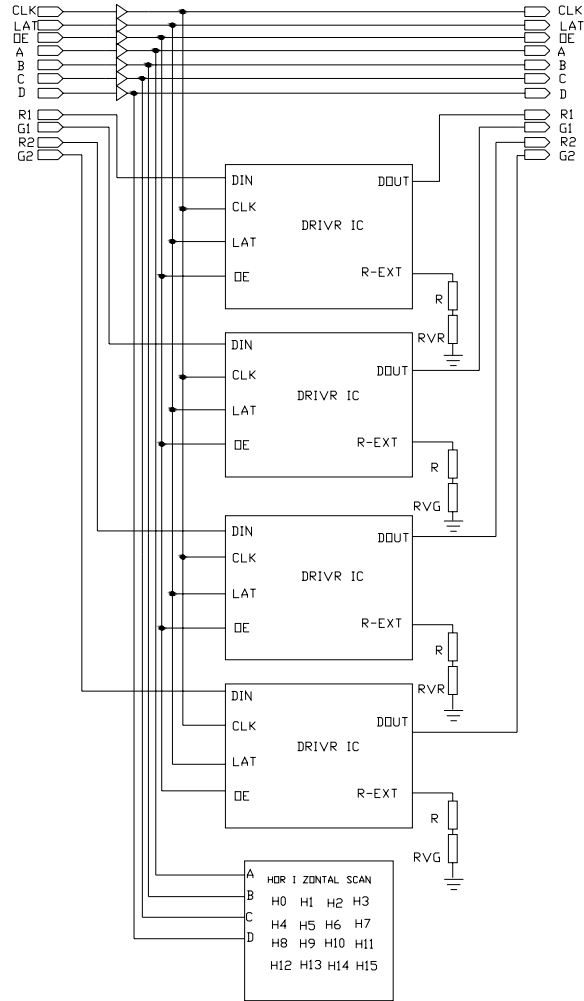
8-1.IN/OUT PUT connector pin number & signal function

PORT	Pin No.	SIGNAL	SIGNAL-FUNCTION
INPUT/ OUTPUT SIGNAL (IN)	1	GND	GROUND
	2	LA	HORIZONTAL SCAN ADDRESS 0
	3	GND	GROUND
	4	LB	HORIZONTAL SCAN ADDRESS 1
	5	GND	GROUND
	6	LC	HORIZONTAL SCAN ADDRESS2
	7	EN	OUTPUT ENABLE
	8	LD	HORIZONTAL SCAN ADDRESS 3
	9	R1	RED DATA (UP 8 ROW)
	10	G1	GREEN DATA (UP 8 ROW)
	11	R2	RED DATA (DOWN 8 ROW)
	12	G2	GREEN DATA (DOWN 8 ROW)
	13	GND	GROUND
	14	LT	DATA LATCH
	15	GND	GROUND
	16	SK	SHIFT CLOCK

8-2. Power connector pin number & signal function

NO	SIGNAL	LEVEL	FUNCTION	WIRE
1	VCC	5 [V]	POWER OF LED	RED
2	GND	0 [V]	GROUND	BLACK

9.BLOCK DIAGRA

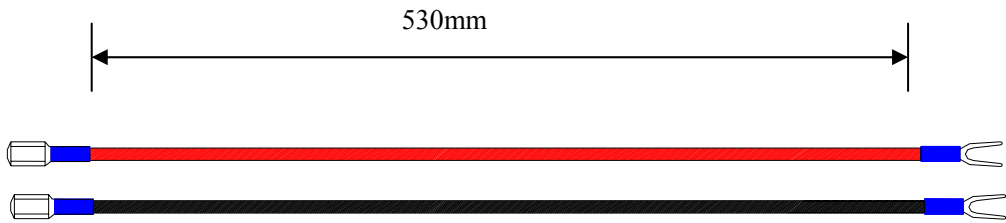


ROUT1 {1:8}	ROUT2 {1:8}	ROUT3 {1:8}	ROUT4 {1:8}
LED ARRAY (32×64)			
GOUT1 {1:8}	GOUT2 {1:8}	GOUT3 {1:8}	GOUT4 {1:8}

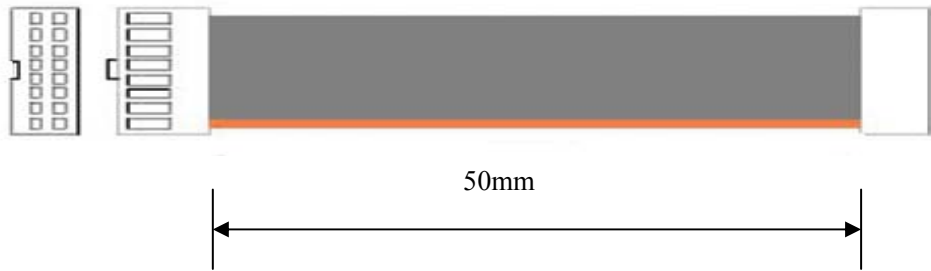
MODEL NO GYX-2388ASRG-MZ	PAGE 7/9
------------------------------------	--------------------

10. CABLE SPEC

<POWER CABLE>



<SIGNAL CABLE>



PART NO.	STANDARD	VENDOR
FL01-14D-50mm	2.54mm PITCH 16 P WIRE (FLAT CABLE/50mm)	
Gu396-0418-300R	4mm PITCH 4 P WIRE	

MODEL NO GYX-2388ASG-MZ	PAGE 8/9
-----------------------------------	--------------------

11. PART LIST

NO	PART LIST	DWG NO	QUAN.	TYPE	PART NAME	MAKER	NOTE
1	MODULE		32	2388ASRG			
2	PCB(Display)		1	GYX2388ASRGPCB			244mm*488mm
3	DRIVE IC		32	SO-16	74HC595		
4	IC		2	SO-20	74HC244D		
5	IC		2	SO-16	74HC138D		
6	IC		1	SOP-14	74HC04D		
7	TRANSISTOR		8	SOP-8	CEM4953		
8	CAPACITANCE		4	DIP	470uF/16V		POWER
9	CAPACITANCE		21	0805	104		
10	RESISTANCE		2	0805	4.7K Ω		
11	RESISTANCE		4	0805	100 Ω		
12	EXCLUSION		1	0805	1K Ω		
13	EXCLUSION		1	0805	4.7K		
14	EXCLUSION		4	0805	100 Ω		
15	SCREW		8		M3*10		
16	NUT		8		ϕ 3		
17	POWER LINE		1		2..5 m ² (530mm)		

MODEL NO GYX-2388ASRG-MZ	PAGE 9/9
------------------------------------	--------------------

12. INSTALLATION NOTICES

- 1) Please apply this modules at a safe surrounding against noise because the error or mis-operation may occur at fragile place of noise.
- 2) Check surely the power condition to operation test in order to prevent module damage which might be caused by the excessive power.
- 3) Modules should be set up within the guarantee limitation and especially kept away from salt dust, soot and SO₂ gas etc.
- 4) When there is no data transmission at operation test just turn power off immediately. Otherwise operating gets damaged.
- 5) Please apply this product under the range of guarantee, considering the sufficient radiation in case of the assembled multi-module.
- 6) V led is recommended the maximum of rating voltage for best result under the low temperature such as -15° C below.
- 7) Please check the insert direction when you attach SIGNAL CONNECTOR or link the power.

13 .REFERENCES

- 1) Check SYSTEM weight before apply modules into housing.
 - 2) Operation test or anti-static electricity need for the COMS attached in circuit board.
 - 3) Sufficient power capability is necessary to deal with the excessive power which might be drastically caused depending on the condition of the on/off of unit.(peak current times 1.5 and higher)
 - 4) power for logic or LED requires Switching Mode Supply.
 - 5) Use power bus bar when connecting power. It helps power to keep from falling down..
 - 6) Please don't change "switch was set as outgoing" The switch was set as out-going.
 - 7) Any further question or trouble herein will be worked out mutually by customer and supplier through sales manager.
-