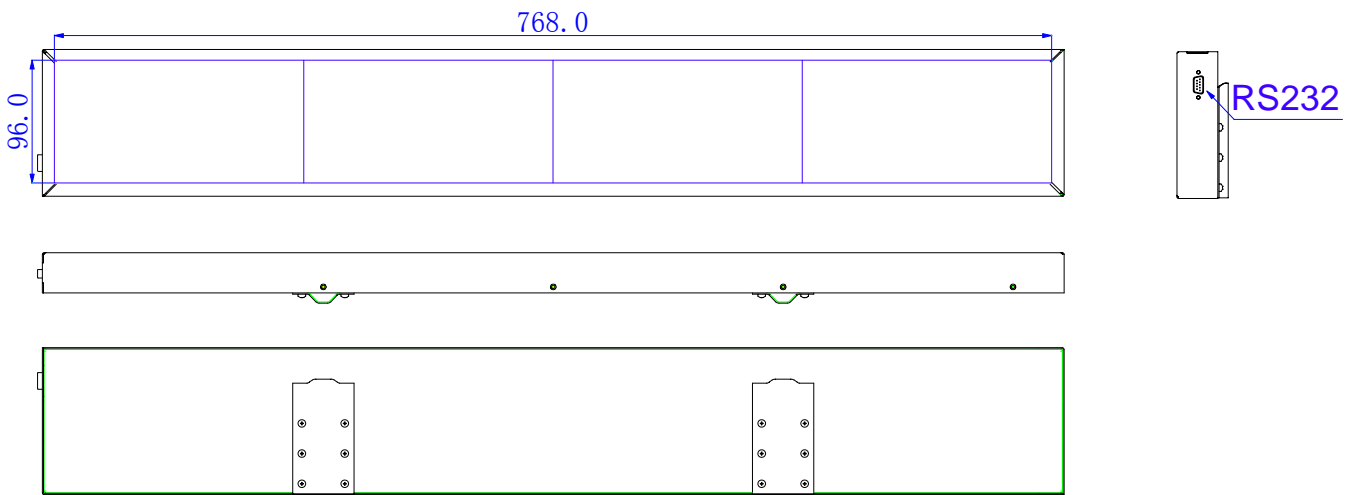


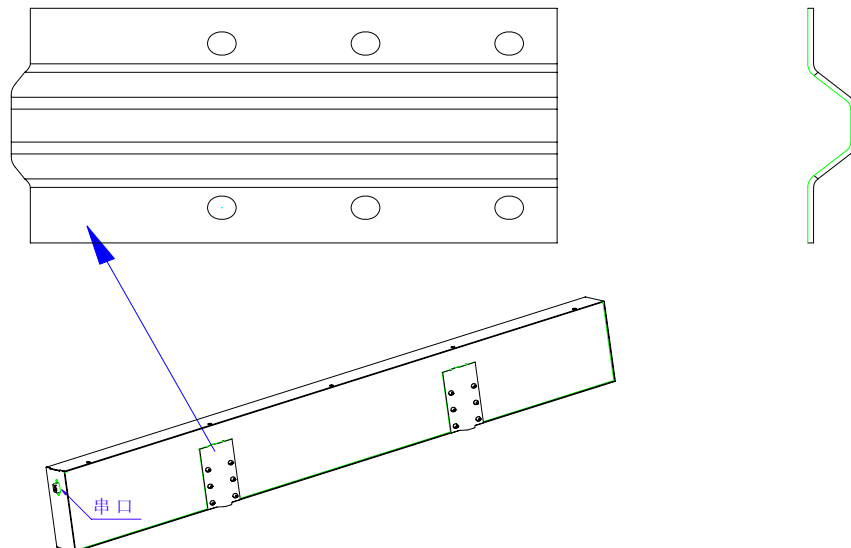


一. Screen Size:

UNIT: MM



Cabinet Connection Slice :



二. Technical Parameter

Screen Size	768mm (L) ×96mm (H)
Dot Size	φ5
Pitch	6mm
Color Configuration	1 Red
Driving Mode	1/8 Scan
Matrix Arrangement	2048 dots(16×128)
Weight	≤4000g
Pixel Density (dot/m ²)	27778 dots/ m ²
Resolution	2048 Dots
Area	0.073728/ m ²
Control Mode	Asynchronous
Serial Port	RS232
Lifespan	>60000 hours
MTBF	>10000 hours
Rate of pixel failure	2/10000
Continuous Blind Spot Rate	None
Operating Temperature	-40℃~+70℃
Ambient Temperature	-40℃~+85℃
Ambient Humidity	≤93%(+40℃)
View Angle	±50° /30
Power Supply	12V Input, 5V Output
Grade of Protection	IP54
Power Consumption	50W