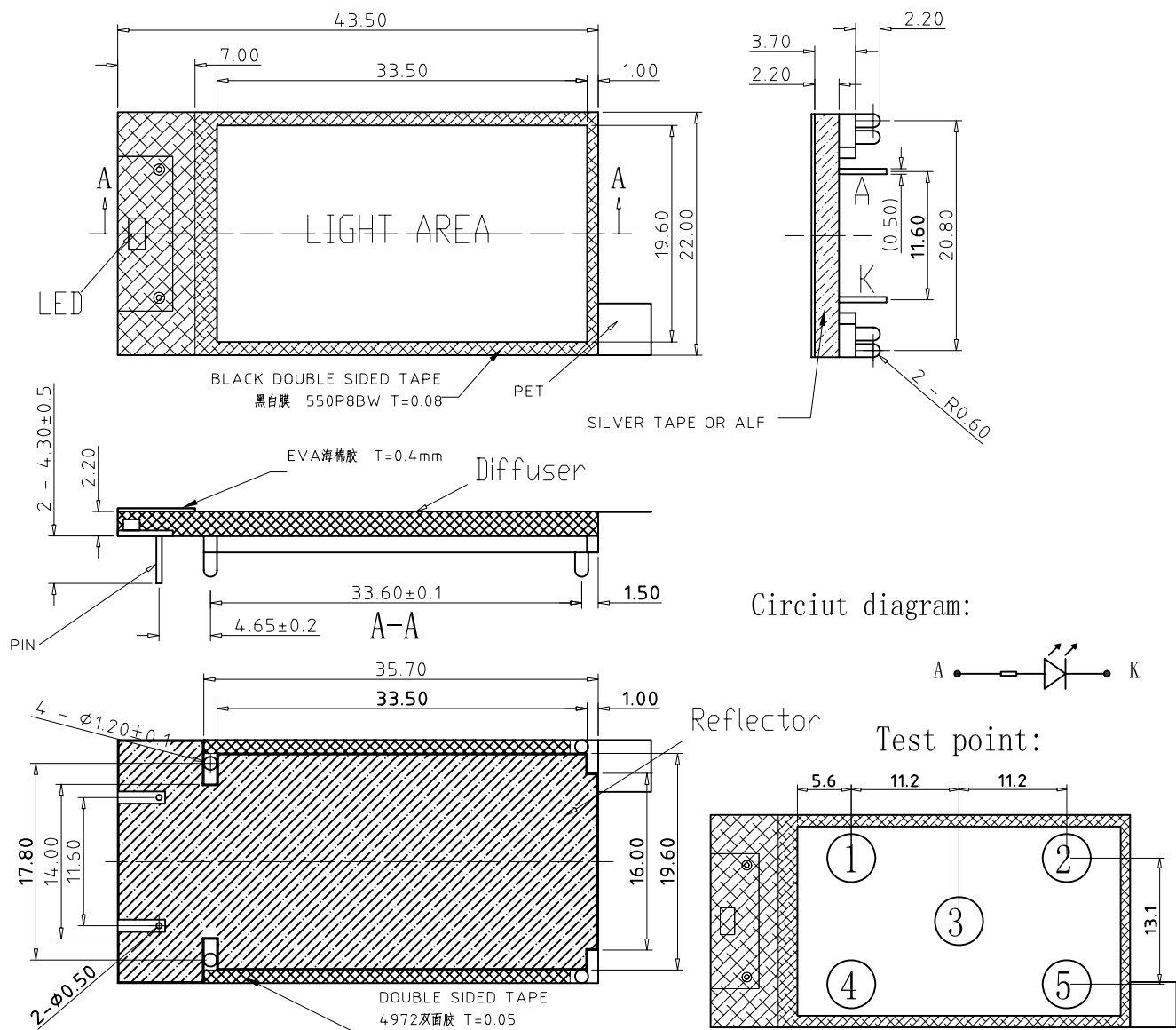


项目(Item)	符号(Symbol)	最小值(Min)	典型值(Type)	最大值(Max)	单位(Unit)	测定条件(Condition)
正向电压(Forward voltage)	Vf	3.8	4	4.3	V	If=15mA
正向电流(Forward Current)	If		15		mA	If=15mA
反向电流(Reverse Current)	Ir			0.01	mA	Vr=5V
峰值波长(Peak wavelength)	$\lambda_{peak}$					
均匀性(Luminous Uniformity)	$\Delta Lv$	70			%	If=15mA
*亮度(Luminance)	Lv	150	300		cd/m <sup>2</sup>	BW-7/If=15mA(not including PET film)
色坐标(Color Coordinate)	X	0.26		0.32		BW-7/If=15mA(not including PET film)
	Y	0.26		0.32		

项目(Item)	符号(Symbol)	值(Rating)
工作温度 Operating Temperature Range	Topr	-25° C to +75° C
储存温度 Storage Temperature Range	Tstg	-30° C to +80° C

Outline Dimensions(Unit: mm Unmarked Tolerance:±0.20)



			TYPE	CUSTOMER P/N		
			GY0471W-4A			
Revise records	Name	Date	DRAWING		SCALE	VERSION
Design						A01
Check						
Process						
Confirm						
			GY0471-3.01A	SHENZHEN GUOYEXING OPTOELECTRONICS		