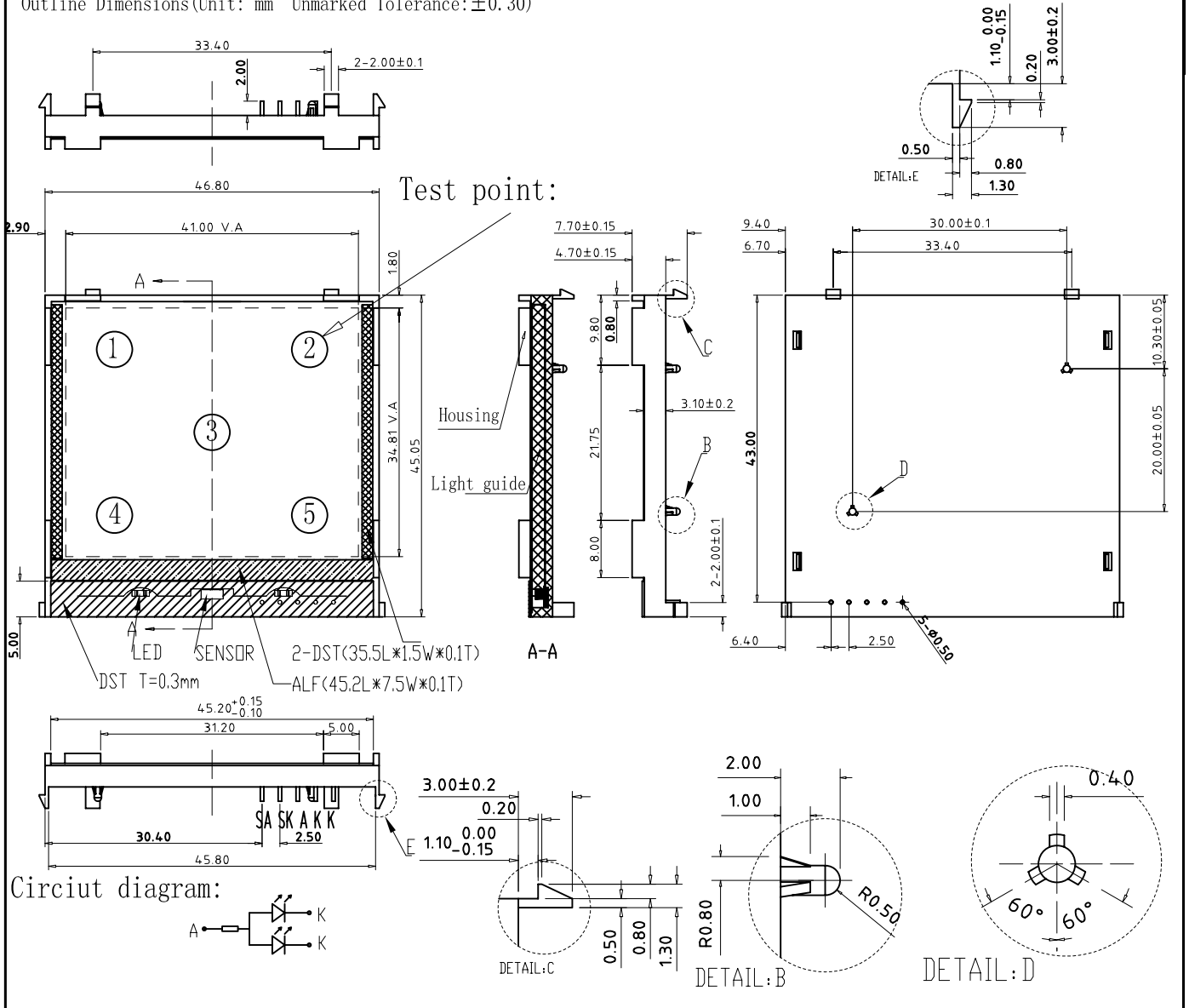


项目(Item)	符号(Symbol)	最小值(Min)	典型值(Type)	最大值(Max)	单位(Unit)	测定条件(Condition)
正向电压(Forward voltage)	Vf		3.5		V	Vf=3.5V
正向电流(Forward Current)	If		30	50	mA	Vf=3.5V
反向电流(Reverse Current)	Ir			0.02	mA	Vr=5V
峰值波长(Peak wavelength)	λ_{peak}					
均匀性(Luminous Uniformity)	ΔLv	70			%	Vf=3.5V
*亮度(Luminance)	Lv	120	250		cd/m ²	Vf=3.5V
色坐标(Color Coordinate)	X	0.26		0.32		Vf=3.5V
	Y	0.26		0.32		

项目(Item)	符号(Symbol)	值(Rating)
工作温度 Operating Temperature Range	Topr	-25° C to +75° C
储存温度 Storage Temperature Range	Tstg	-30° C to +80° C

Outline Dimensions(Unit: mm Unmarked Tolerance:±0.30)



			TYPE	CUSTOMER P/N		
			GY0483W-3A			
Revise records	Name	Date	DRAWING		SCALE	VERSION
Design						A01
Check						
Process						
Confirm						
			GY0483-3.01A	SHENZHEN GUOYEXING OPTOELECTRONICS		